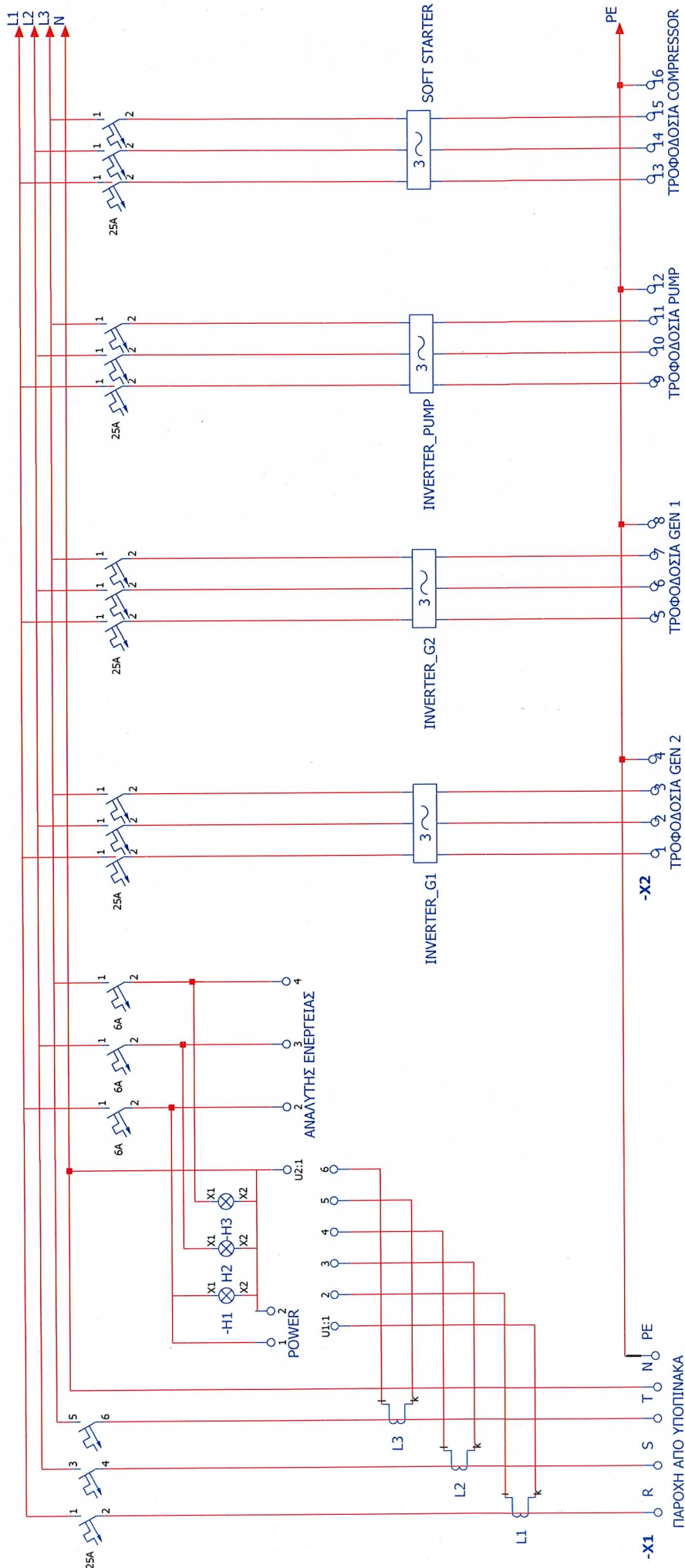




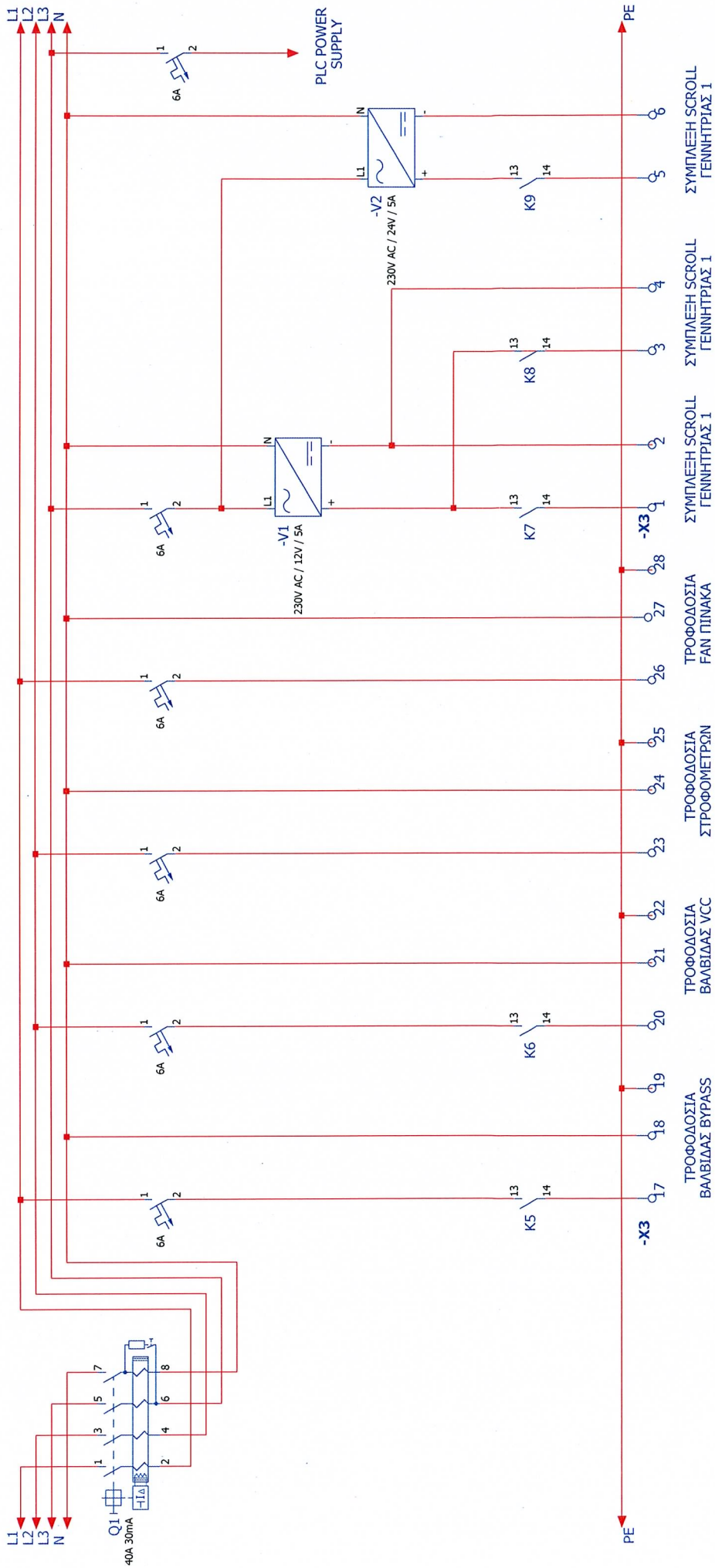
EPLAN Software & Service
GmbH & Co. KG
 An der alten Ziegelei 2
 D-40789 Monheim
 Phone. 02173/3964-0

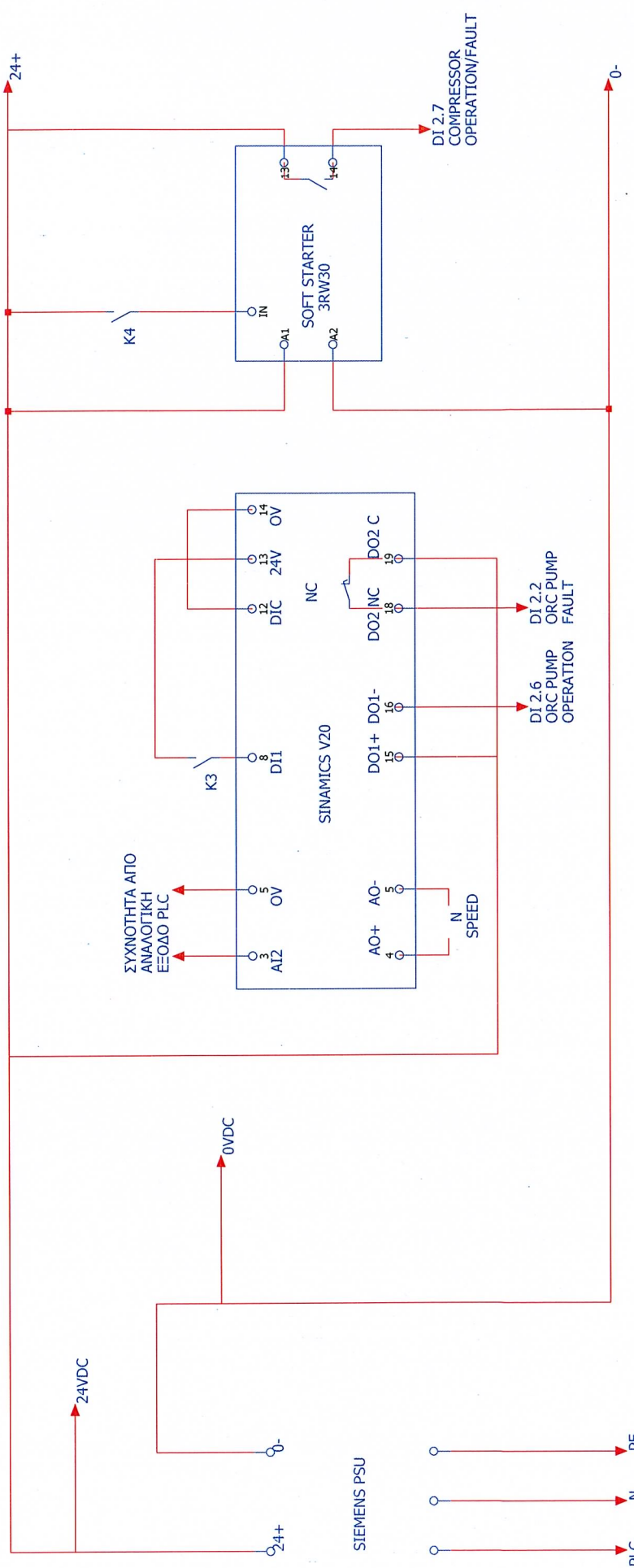
Company / customer	EPLAN
Project description	Project template with IEC identifier structure
Drawing number	IEC_tpl001
Commission	EPLAN
Manufacturer (company)	EPLAN Software & Service GmbH & Co. KG
Path	EPLAN sample project
Project name	BioTRIC-Electrical Designs
Make	Universal VESA
Type	AT78
Place of installation	+ET1
Responsible for project	
Part feature	Sonderlackierung
Created on	12/1/2016
Edit date	4/2/2016
	by (short name) Sophie's World
	Number of pages 10



2. ΚΥΚΛΩΜΑ ΤΡΟΦΟΔΟΣΙΑΣ ΑΠΟ ΥΠΟΠΙΝΑΚΑ_2

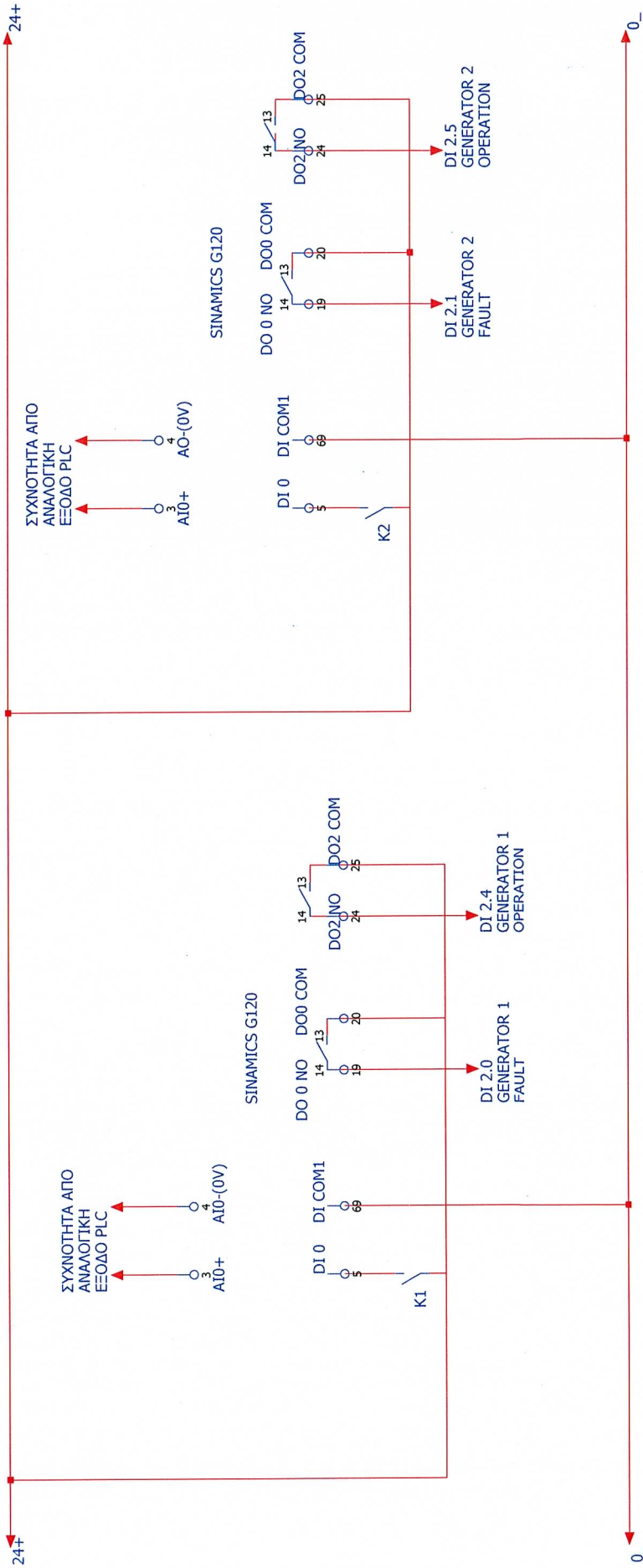
Modification	Date	19/1/2016	EPLAN	EPLAN Software & Service GmbH & Co. KG	=
	Name	Project template with IEC identifier structure			
Date	Ed.	Sophie's World	Replaced by	IEC_tpl001	+
	Appr				
	Original		Replaced by		Page
					10





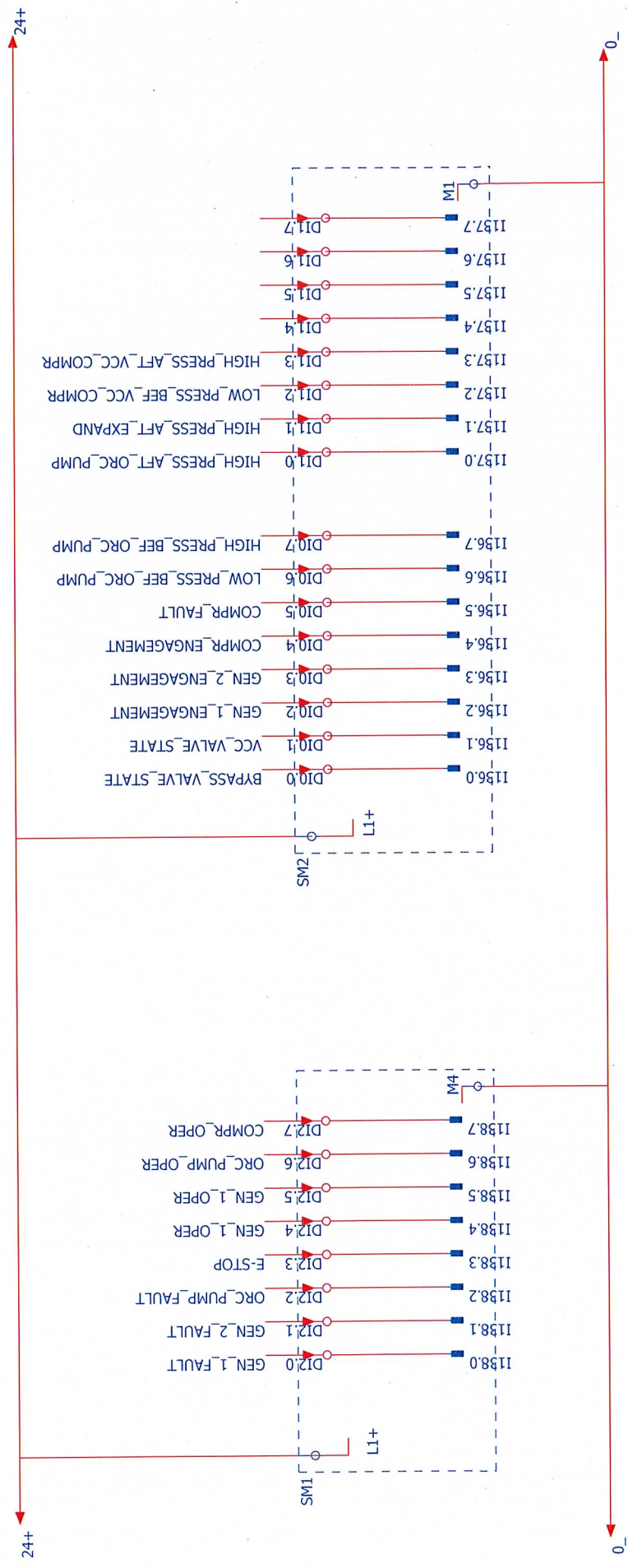
4. ΚΥΚΛΩΜΑ ΑΥΤΟΜΑΤΙΣΜΟΥ ΤΕΝΝΗΤΡΙΩΝ

Modification	Date	19/1/2016	EPLAN	Project template with IEC identifier structure	EPLAN Software & Service GmbH & Co. KG	IEC_tpl001	Page	4
	Date						Page	10



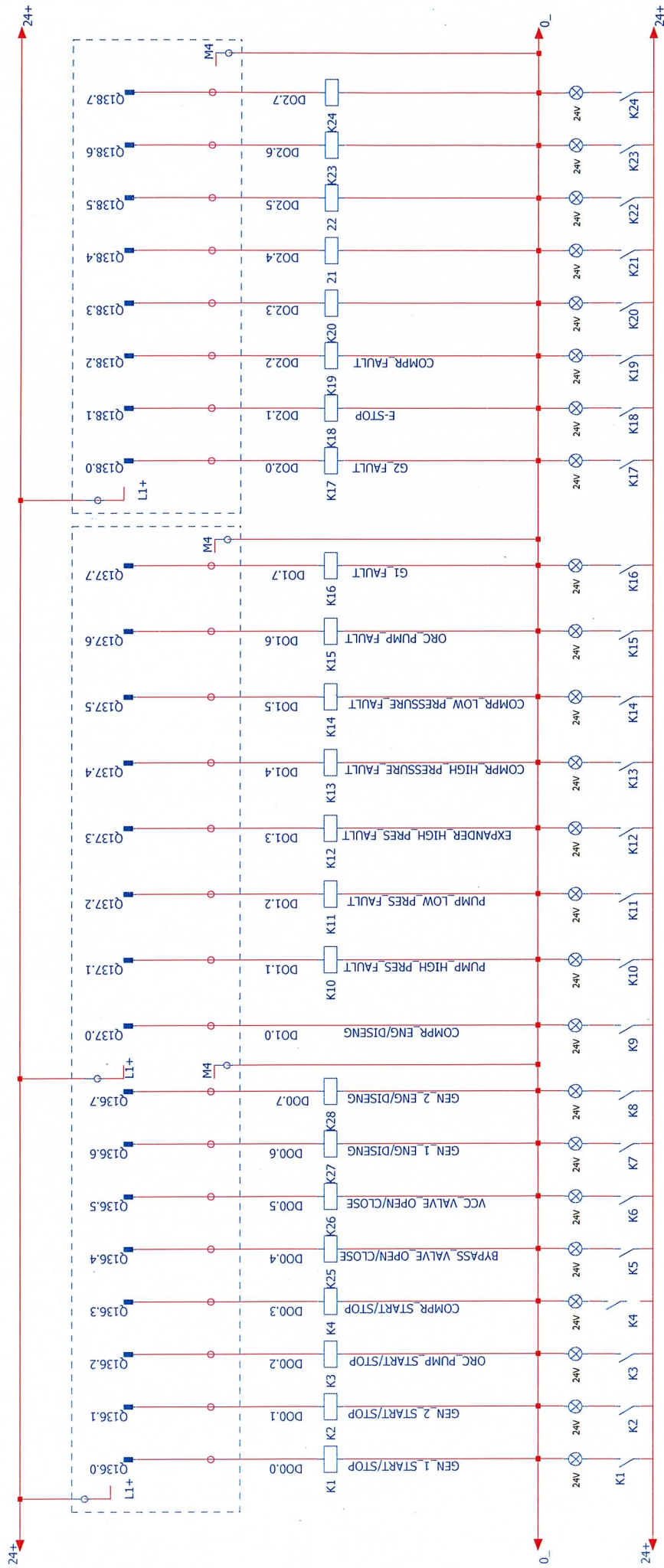
5_PLG DIGITAL INPUTS

Date	4/2/2016	EPLAN	EPLAN Software & Service	=
Ed.	Sophia's World	Project template with IEC identifier structure	GmbH & Co. KG	+
Appr		Replaced by		
Original		Replaced by		
Modification				
Date				
Page	5			
Page	10			

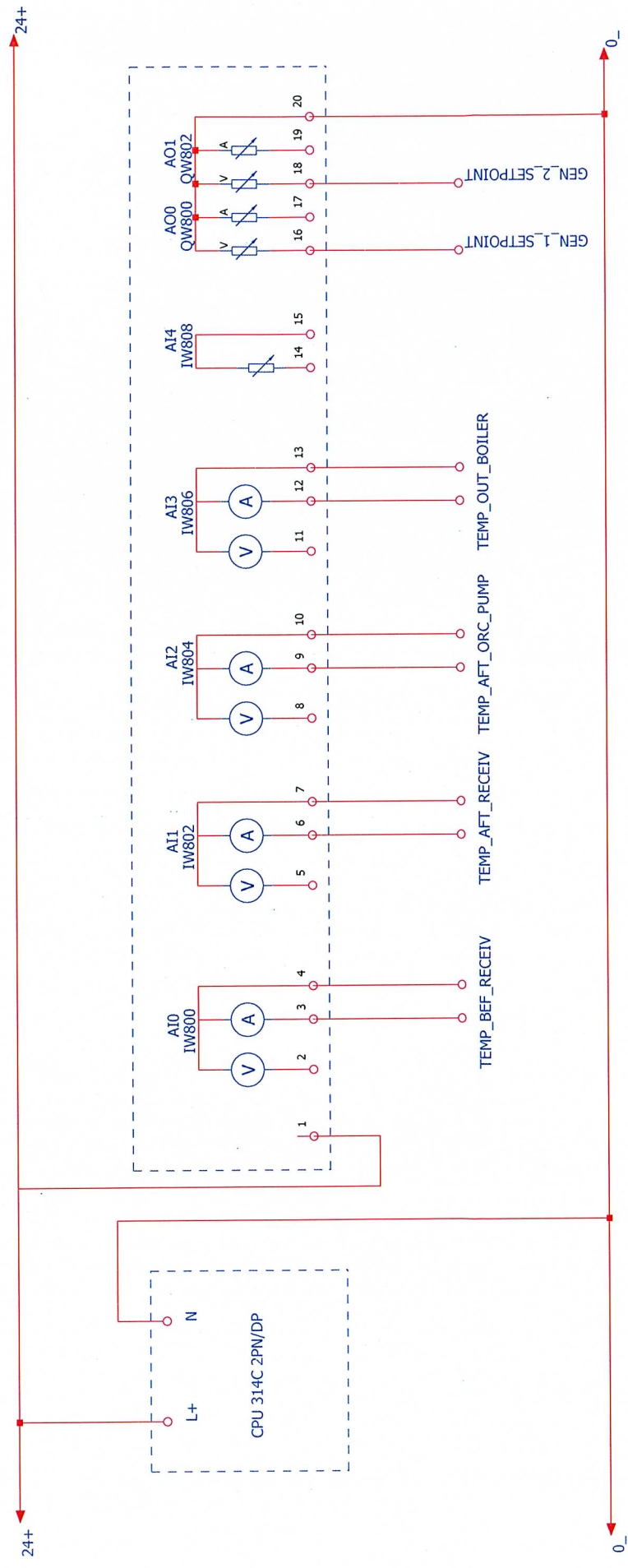


6 PLC DIGITAL OUTPUTS

Date	19/7/2016	EPLAN	EPLAN Software & Service GmbH & Co. KG	IEC_tpl001	Page 6
Ed.	Sophie's World	Project template with IEC identifier structure			Page 10
Appr		Replaced by			
Original					
Modification					
Date					

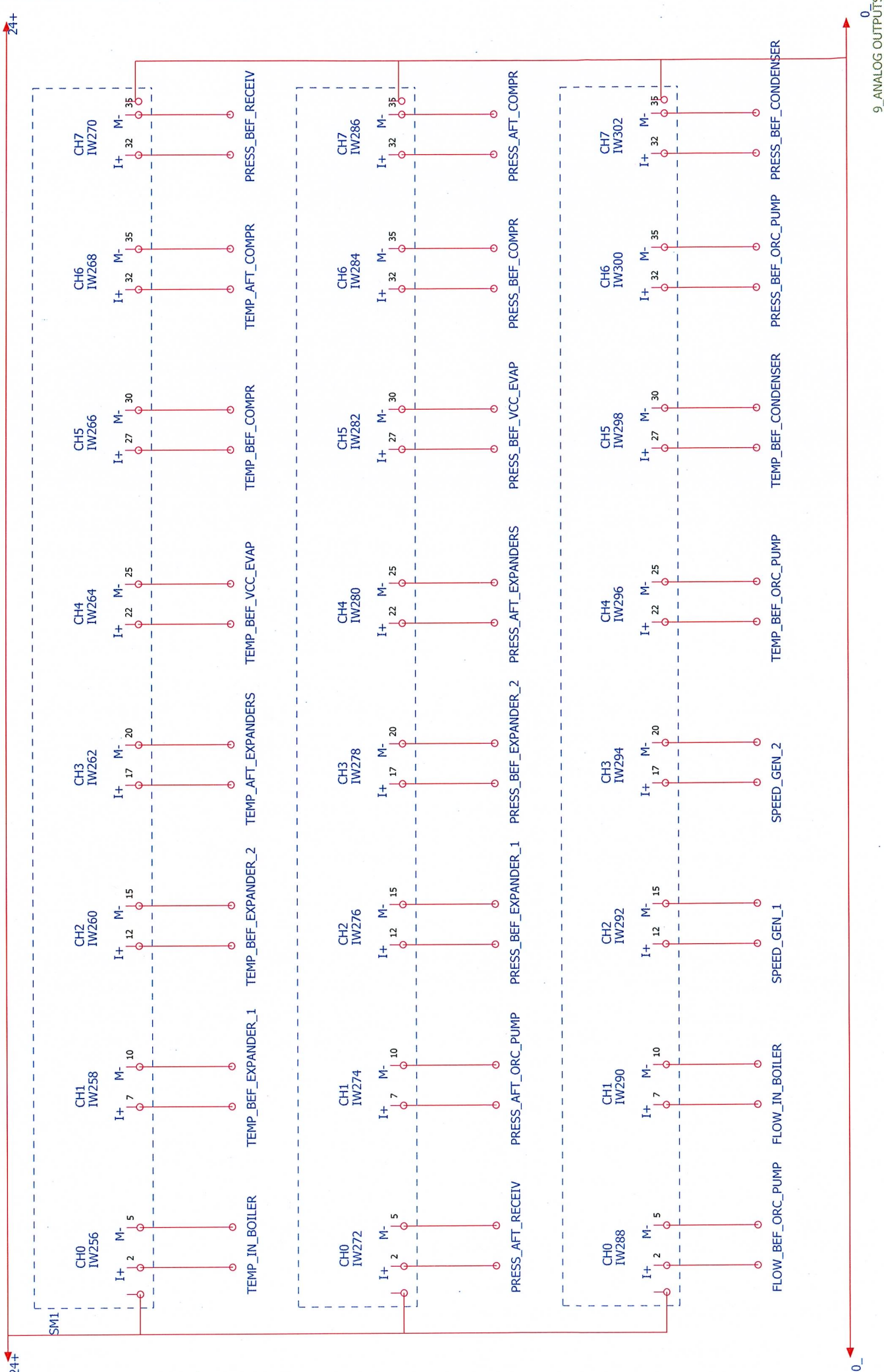


Date	17/2/2016	Author	Supra's Vardol
Rev.		Appr.	
Revision		Date	
Replaced by		Replaced by	
EPLAN Software & Service GmbH & Co. KG			
Project template with IEC identifier structure Replaced by			
IEC: IEC61131			
Page	7	Page	19



8_ANALOG INPUTS

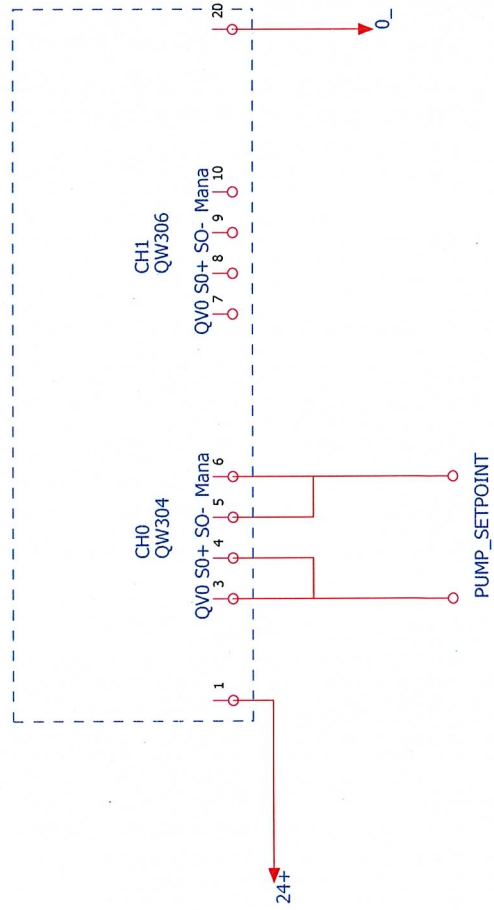
Date	19/1/2016	EPLAN	EPLAN Software & Service	=	+
Ed.	Sophie's World	Project template with IEC identifier structure	GmbH & Co. KG		
Appr		Replaced by		IEC_tpl001	Page 8
Original					Page 10
Modification					
Name					
Date					



24+ →

0_ →

9_ANALOG OUTPUTS		=		+	
EPLAN Software & Service GmbH & Co. KG		EPLAN		Project template with IEC identifier structure	
Date	19/12/2016	Date	19/12/2016	Replaced by	
Ed.	Sophie's World	Ed.	Sophie's World	Replaced by	
Appr.		Appr.		Replaced by	
Original		Original		Replaced by	
Modification		Modification		Replaced by	
Page	9	Page	9		
Page	10	Page	10		



Modification	Date	19/11/2016	EPLAN	EPLAN Software & Service GmbH & Co. KG	=	Page	10
	Ed.	Sophie's World					
	Appr		Project template with IEC Identifier structure				
	Original		Replaced by				