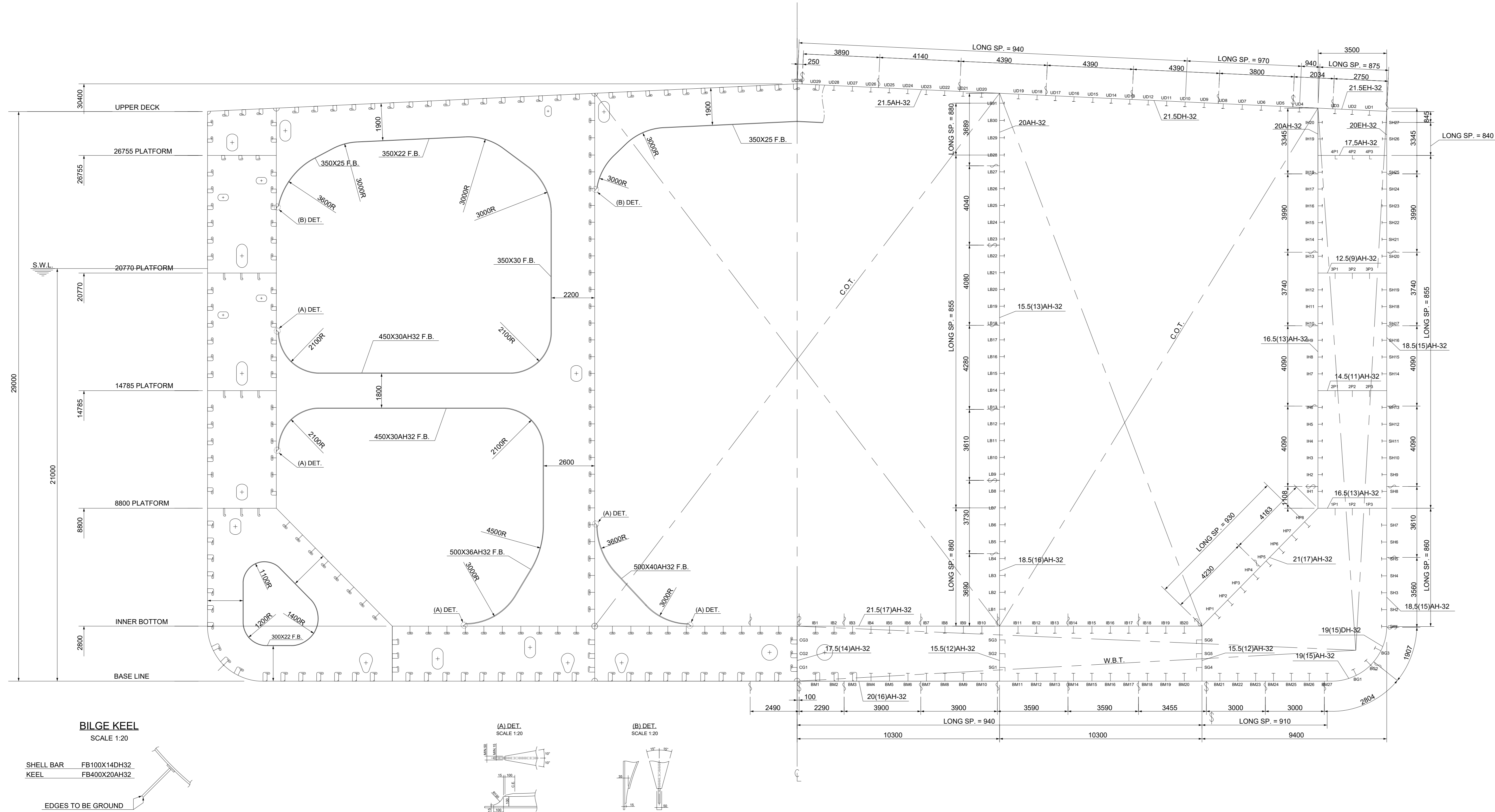


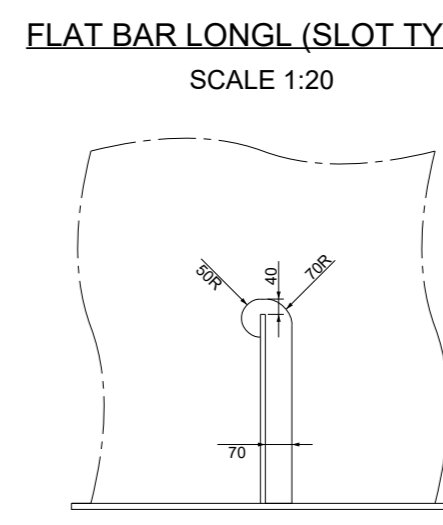
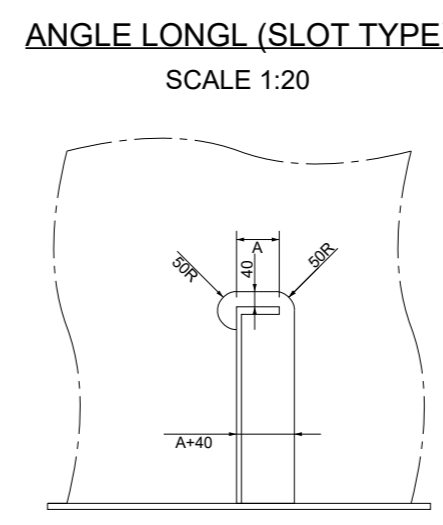
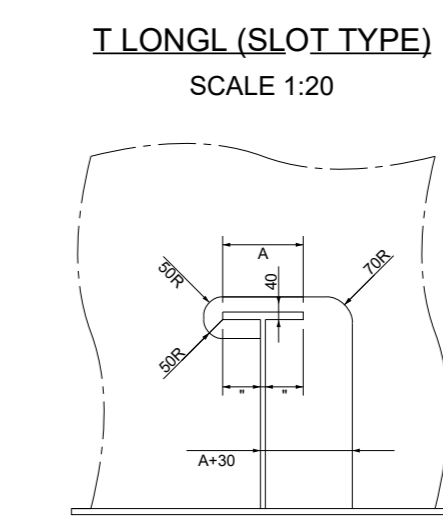
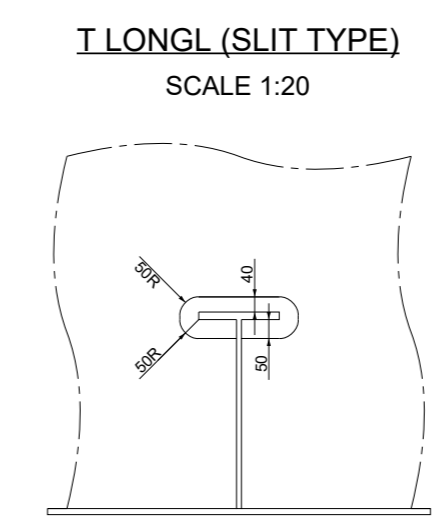
MIDSHIP SECTION
TRANSVERSE SP. = 2685



LOCATION	LONG. ID	TYPE	SCANTLING	STEEL
BOTTOM	BM1~BM27	T	400X15(12)+180X21(18)	AH-32
BILGE	BG1~BG3	T	340X15.5(12.5)+200X23(20)	AH-32
	SH1~SH7	T	260X15(12)+180X21(18)	AH-32
	SH8~SH25	T	240X15(12)+160X19(16)	AH-32
SHELL	SH26~SH27	T	220X15(12)+140X19(16)	AH-32
	IB1~IB20	T	360X15.5(12.5)+180X23(20)	AH-32
INNER BOTTOM	IB1~IB20	T	360X15.5(12.5)+180X23(20)	AH-32
HOPPER	HP1~HP8	T	340X15.5(12.5)+180X21(18)	AH-36
	IH1~IH18	T	220X14(11)+160X19(16)	AH-36
INNER HULL	IH19~IH20	T	220X14(11)+140X19(16)	AH-36
	LB1~LB7	T	280X14.5(12)+180X20.5(18)	AH-36
	LB8~LB28	T	240X13.5(11)+140X18.5(16)	AH-36
LONG. BULKHEAD	LB29~LB31	T	240X13.5(11)+140X18.5(16)	AH-36
	UD1~UD30	T	240X16(12)+160X20(16)	AH-32
UPPER DECK	UD1~UD30	T	240X16(12)+160X20(16)	AH-32
CL GIRDER	CG1~CG3	T	280X15(12)+180X23(20)	AH-36
SIDE GIRDERS	SG1~SG6	L	280X15.5(12.5)+200X23(20)	AH-36
8800 PLATFORM	1P1~1P3	FB	360X16(13)	AH-36
14785 PLATFORM	2P1~2P3	FB	320X15.5(12.5)	AH-36
20770 PLATFORM	3P1~3P3	FB	300X15(12)	AH-36
26755 PLATFORM	4P1~4P3	L	180X14(11)+120X19(16)	AH-36

MAXIMUM STILL WATER BENDING MOMENTS	
HOGGING (kNm)	10707949.3
SAGGING (kNm)	-9922741.2

Z _{NA} from B.L. (m)	12.052
I _{yy} from NA (m ⁴)	1308.506
Z at Bottom (m ³)	108.573
Z at Deck (m ³)	77.206



PRINCIPAL PARTICULARS

LENGTH O.A.	327.700
LENGTH B.P.	318.000
BREADTH MLD.	60.000
DEPTH MLD.	29.000
SCANTLING DRAUGHT MLD.	21.000
BLOCK COEFF. (AT SCANTLING DRAUGHT)	0.810

ARGYRO

290000 DWT VLCC

MIDSHIP SECTION	IORANIS ALEXIOU
	nm18048
SCALE 1:100	SCHOOL OF NAVAL ARCHITECTURE AND MARINE ENGINEERING NTUA