
II. Calibration of Artificial Plastic Hinges

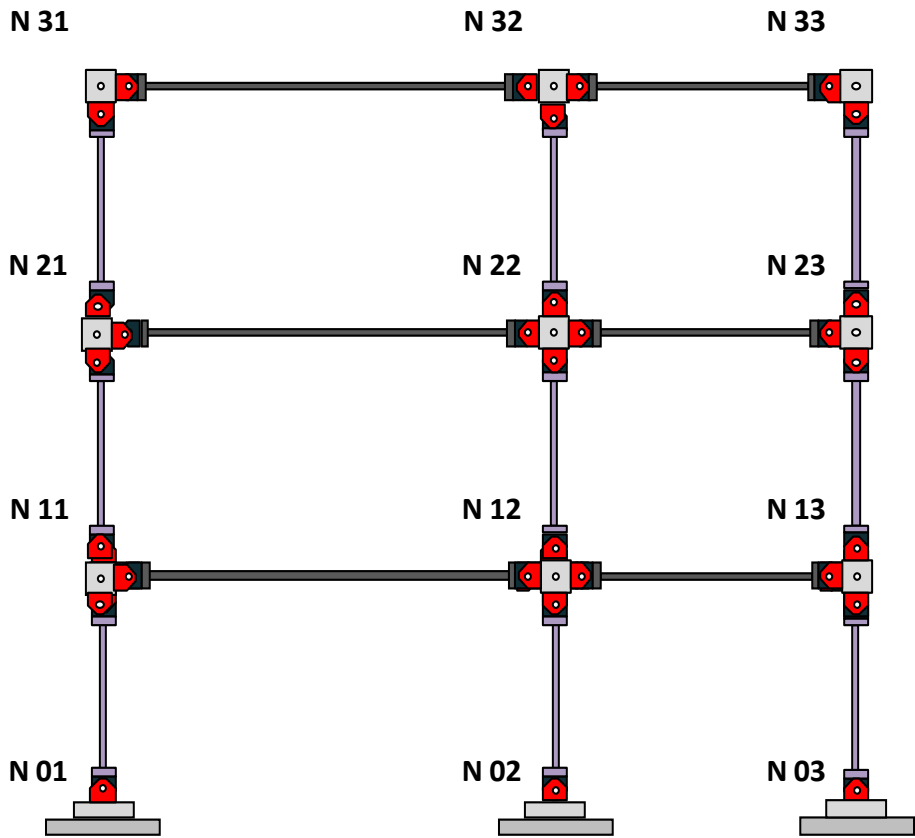


Figure A15. Schematic illustration of model building and naming of connections (nodes).

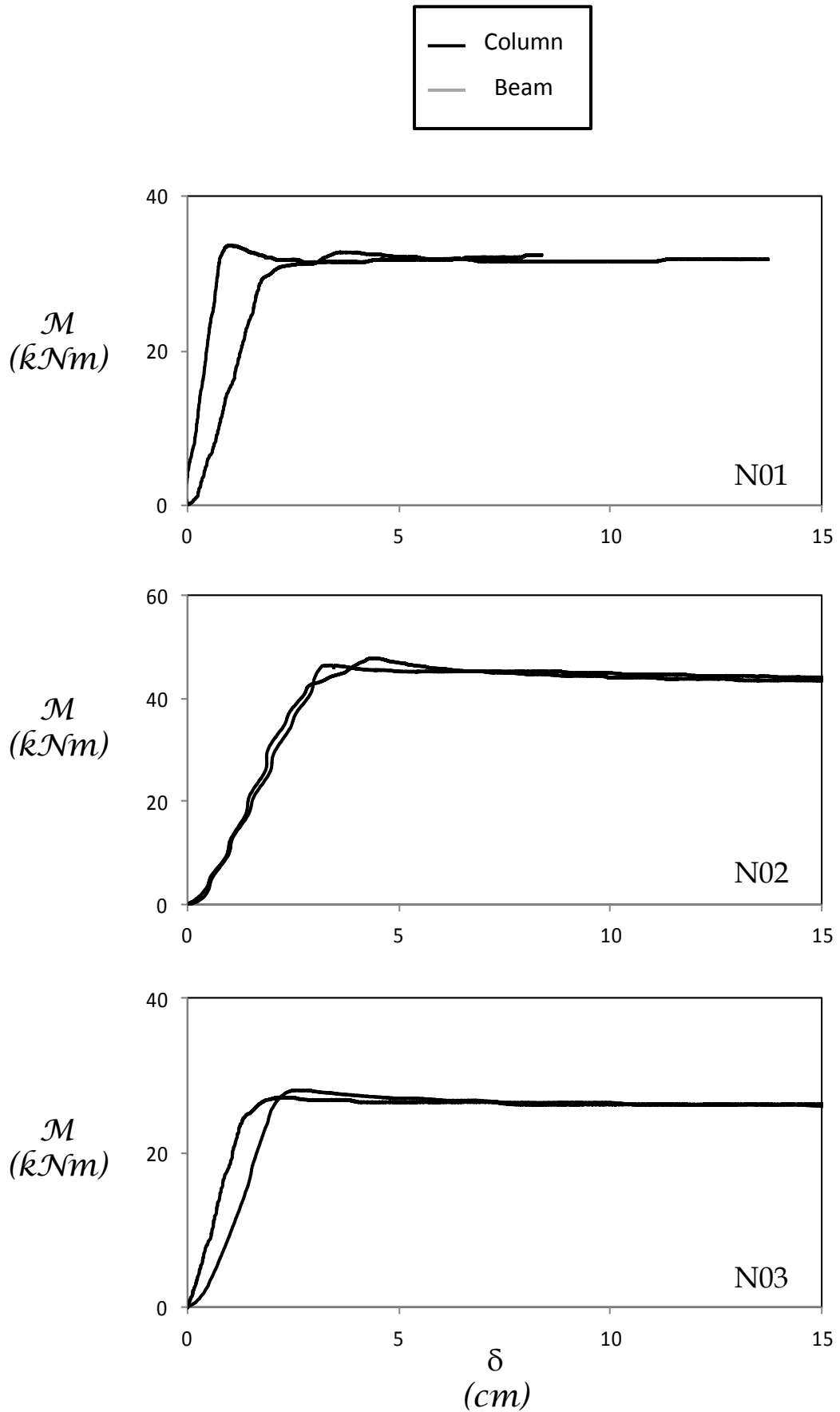


Figure A16. Bending moment with regard to displacement diagrams derived from the calibration of the artificial plastic hinges for column – footing connections.

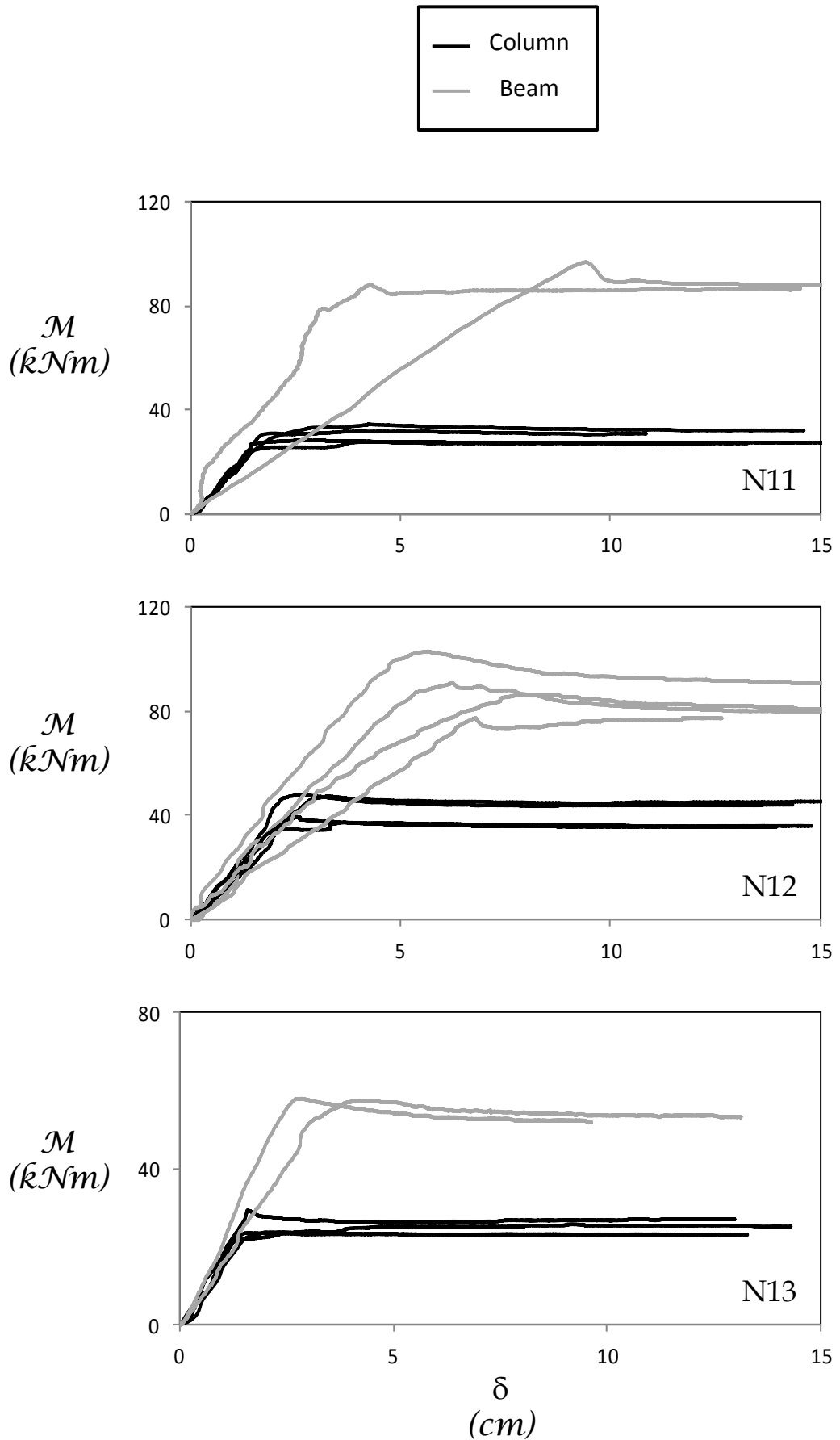


Figure A17. Bending moment with regard to displacement diagrams derived from the calibration of the artificial plastic hinges for the 1st storey.

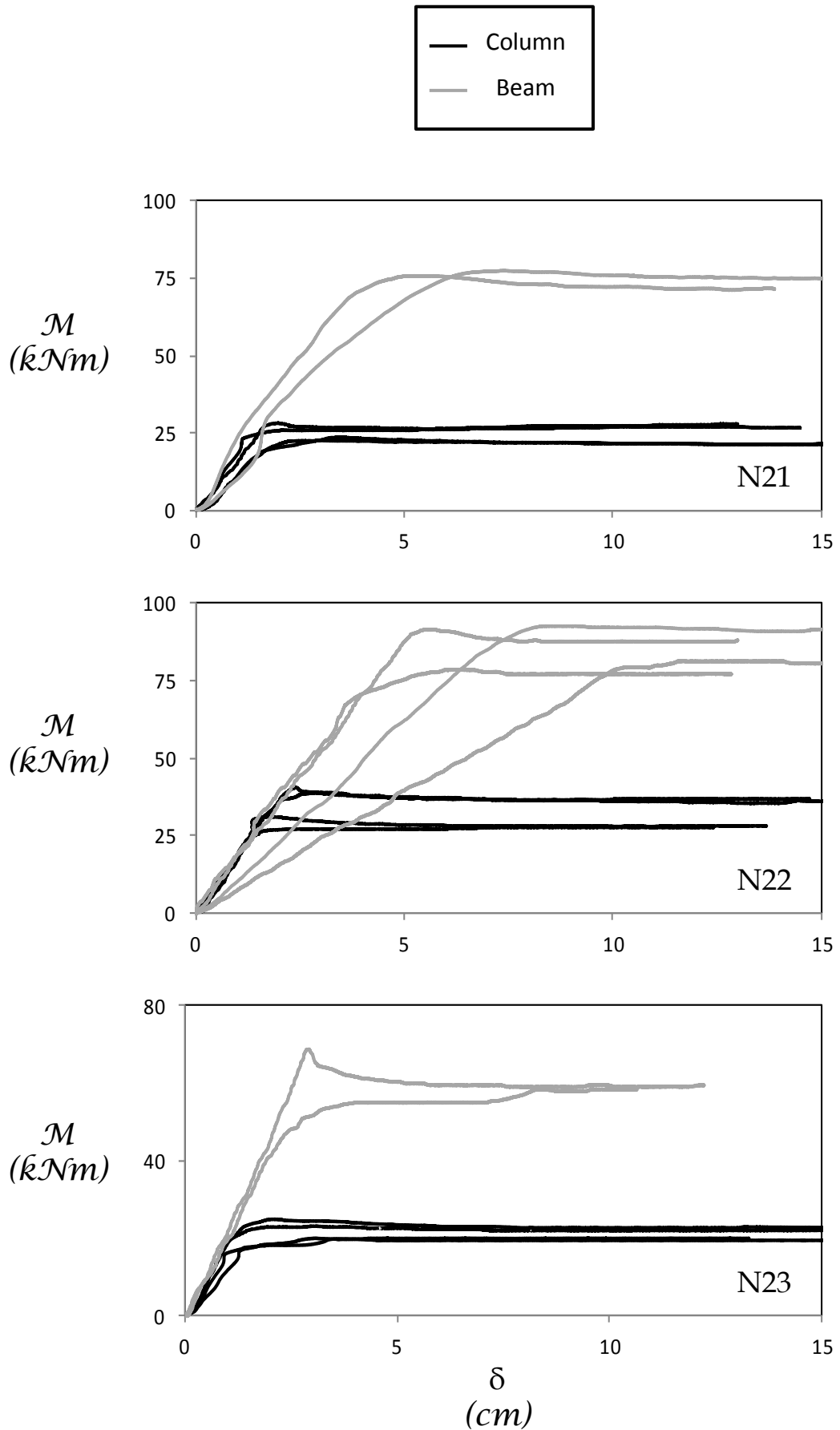


Figure A18. Bending moment with regard to displacement diagrams derived from the calibration of the artificial plastic hinges for the 2nd storey.

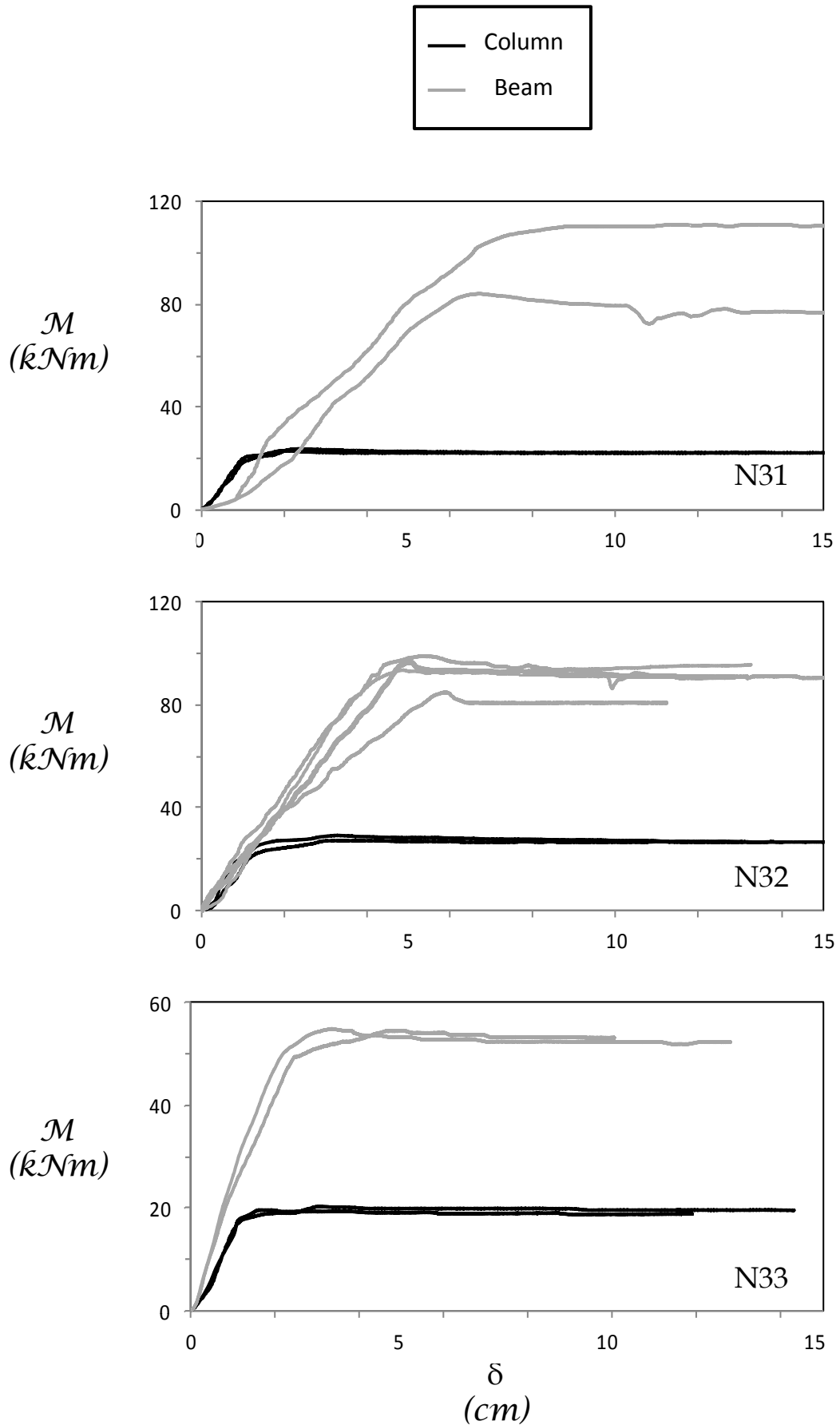


Figure A19. Bending moment with regard to displacement diagrams derived from the calibration of the artificial plastic hinges for the 3rd storey.

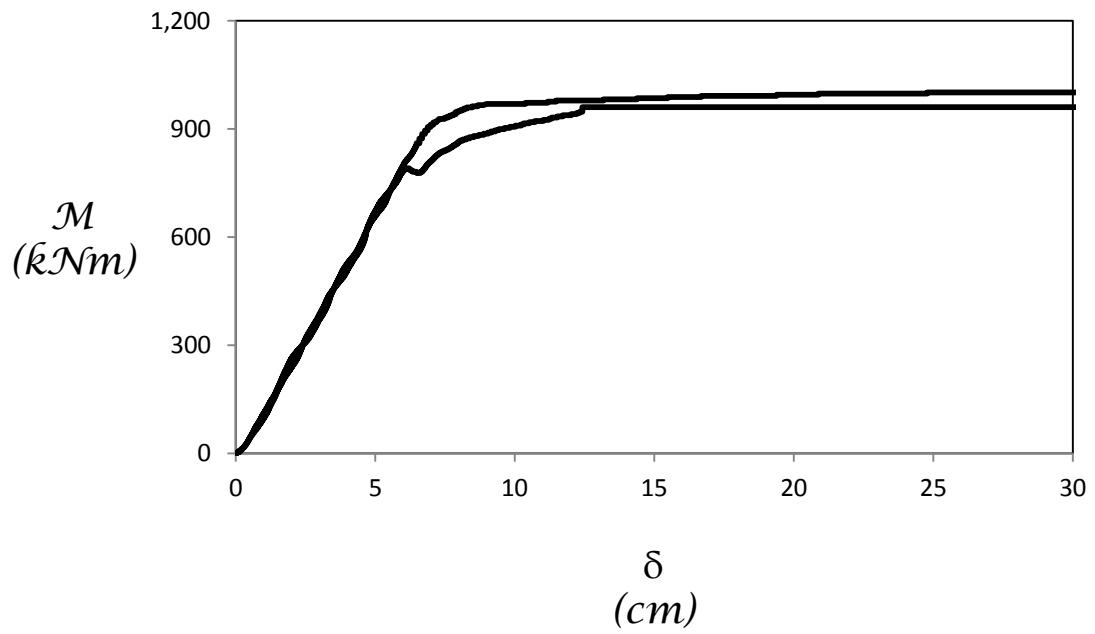


Figure A20. Bending moment with regard to displacement diagrams derived from the calibration of the artificial plastic hinges at the base of the retrofitting shear walls.